

Message from the Headteacher – Mrs John

It has been an enjoyable and industrious week at Stanborough. With the arrival of sunnier weather, students have made the most of the fresh air, enjoying time on our wonderful field. It has been a real pleasure to see students thriving and showing initiative in their learning. I was especially impressed by the pupil-led 'walking talking mocks' in Computer Science. Selected students took the lead in guiding their peers through exam questions, sharing strategies to help achieve higher marks. We are fortunate to have such confident learners who are willing to step up and set a positive example to others. The Junior Maths Challenge took place this week, which was a great opportunity to extend and enrich students' maths skills. Year 10 have also been busy preparing for their upcoming work experience days, ensuring they make the most of this valuable opportunity.

Headteacher's Commendations

Imeth Kannangara, Yr.7 for improving his reading age by 4 years since September.

Sebastian Azoitei, Yr.7 for reading a million words since September and becoming a millionaire reader.

Isabel Kula, Yr.7 for performing in, writing and directing the show 'Murder in the Hallway?' at Digswell village hall.

Althea Stylianou, Yr.7 for achieving a Yellow Belt in a recent Karate grading.

Bella Wan Faizul, Yr.8 for passing her Black Belt exam in Taekwondo with Merit.

Maisie Halpin, Yr.8 for outstanding effort and commitment to learning across all lessons.

Jessie Baldock, Yr.9 for outstanding effort and commitment to learning across all lessons.

Helena Dunstan, Yr.10 for passing her Grade 5 Clarinet exam with Merit.

Damia Wan Faizul, Yr.10 for passing her Black Belt exam in Taekwondo with Merit.

Tandie Chitungo, Yr.11 for excellent participation in the recent HPA mentoring sessions.

Waiswa Abdalla, Javan Senaratne, Paige Wadley, Zac

Lewis, Tami Burgess, Nikita Shah, Ritisha Datta, Yasemen Savasci and Harrison Walton, Yr.12 for excellent support at the recent Culture Fest.

Chennai Avery, Yr.13 for excellent leadership and support at the recent SLT parents evening.

Luisa Ilisoi, Yr.13 for securing a solicitors degree apprenticeship with Bird and Bird.



Quote of the week:

"In the end, it's the people who are curious who change the world" - Neil deGrasse Tyson

Wish you a restful weekend.

Mrs John



Headteacher Commendations





Breaktime with the Headteacher

Congratulations to all the Year 10 and Year 12 students who achieved the top 10 highest attitude to learning scores last term.

Year 10

Student Name	Tutor Group	ATL Score
Oreoluwa Oyedare	10BM	3.86
Flavius Azoitei	10BP	3.84
Kolin Varhelyi	10HM	3.79
Jimmy Dykes	10KL	3.75
Flora Watson	10KL	3.72
Kiran Chauhan	10HC	3.71
Wojciech Napiorkowski	10HC	3.69
Zachary Palin	10SE	3.69
Annie O'Neill	10BP	3.66
Grace Matthews	10BP	3.66
Nina Merrigan	10BM	3.66
Noah McQuillen	10HM	3.66



Year 12

Student name	Tutor Group	ATL Score
Oliver Model-Shepherd	12H	4.00
Serkan Savasci	12S	4.00
Lucy Shadbolt	12H	4.00
Isabel Jarvis	12K	3.75
Oreoluwa Oyedare	12S	3.75
Rebecca Sanders	12K	3.75
Harrison Walton	12B	3.75
Waiswa Abdalla	12S	3.67
Leo Gomes	12B	3.67
Olivia Woodhead	12B	3.67



Forthcoming Events

4th May 2026

Week B

5 th – 8 th May	Year 8 Exams in class
5 th – 6 th May	Year 13 Art Exam
6 th May	Year 10 Mock Exams
7 th – 8 th May	Year 12 Poland Trip
7 th May	GCSE Exams start
8 th May	Year 12 Talent Foundry workshops
8 th May	Year 13 Leavers Celebration

Social Media @ Stanborough

Follow us on X, Facebook and Instagram to see all our news, events, updates and student successes

X - @StanboroughS

Facebook - StanboroughschoolWGC

Instagram - Stanboroughschool

LinkedIn - <https://www.linkedin.com/company/stanborough-school/>



Farewells

Mrs Humphries, Assistant Headteacher, writes:

Mrs Pomfrey, our Communications co-ordinator, sadly leaves Stanborough after 19 years of service on Thursday 30th April. During her time working at the school, Mrs Pomfrey has worked in a number of roles but in most recent years, she has been behind the scenes, ensuring all school communications run smoothly. From the creation of the weekly Stanborough Times to ensuring all presentation and parents' evenings run smoothly, and so much more in-between, Mrs Pomfrey makes sure that parents, students, the staff and community have all the key information they need. She is such a vital and valued member of staff who carries out her work with professionalism, calmness and precision - it is hard to imagine what Stanborough will be like without her!

Thank you, Mrs Pomfrey, on behalf of us all for your service to Stanborough School. Enjoy every minute of your retirement and the extra time this will allow you to spend with your family - you certainly deserve it. You will be missed but we are sending all our best wishes to you in this new, exciting phase of your life.

Mr Persand, Deputy Headteacher, writes:

Mrs Pamphlett will be leaving on 30th April to take up a new role in a new setting. During her time with us, Mrs Pamphlett has demonstrated a consistently strong work ethic and a clear commitment to high standards, both of which are essential in the running of exams. She has always kept students at the centre of her work. The role of Exams Officer is demanding and extends well beyond the exam periods themselves. We thank Mrs Pamphlett for also improving existing systems and introducing new processes that have strengthened our practice.

We are grateful and thank her for the contribution she has made to the school throughout her time here. We wish Mrs Pamphlett every success in her new role.

Rural Operational Support Team, Hertfordshire Police – message for parents/carers



As the summer holiday approaches, Hertfordshire Constabulary would like parents/carers to be aware of a current concern over children using catapults, possibly in response to social media. There has been an increase in the number of reports received relating to animals and wildlife being targeted, injured or damaged by objects fired from catapults. Please note the advice below:

1. Dissuade your children from leaving home with a catapult.
2. Explain to your children that using a catapult to cause damage or harm is a criminal offence.
3. If you wish to dispose of a catapult, contact the Rural Operational Support Team (ROST) who will be able to assist by email at ROST@herts.police.uk

Student Success

Jeremiah in 9SM has shown tremendous initiative by stepping forward to lead assemblies this week. Not only has he taken it upon himself to provide students with valuable information about the Sea Cadets and Royal Marine Cadets, but he also shared his personal experiences and insights gained from being a part of these distinguished organisations. His words will certainly encourage others to explore the opportunities and adventures the cadets offer.



Mr Fanning, Subject Leader: Biology, writes:

Stanborough Students Hold the Line as Welwyn Win the Double! Congratulations to Welwyn Girls U14 Rugby Team who won the Hertfordshire League and Cup. The girls put on a masterclass in entertaining and physical rugby as they won the Cup Final against Old Albanians in the neutral ground of Hertford Rugby Club on Sunday, 26th April.

Welwyn had three Stanborough students playing, and although none of them contributed to the scoreboard, they were impressive in defence, physically dominating their opponents with committed, brave tackling. Well done to Sophie, Nia and Imara.

A special mention must also be made for Stanborough's Emilia Hickey who represented Welwyn under 16s in their Cup victory, and has also been playing representative county rugby!



Question of the Week

Mathematics

Mrs Sahjpall, KS3 Leader: Mathematics, writes:



π fx $\oplus \ominus$ $\otimes \oplus$ λ **MATHS QUESTION OF THE WEEK**    

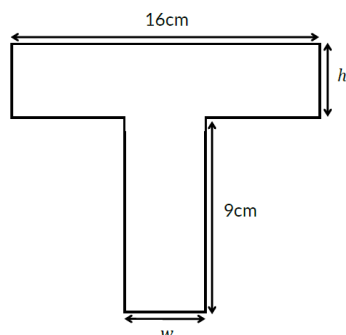
SOLVE ONE OF THE FOLLOWING TO EARN A GOLD AWARD

Deadline: 04.05.26

Submit your entry by email on Ssahjpall@stanborough.herts.sch.uk or on paper (Maths office)

Write your full name and form group on your entry

Higher GCSE Question



The perimeter of the shape is 60cm.

The area of the shape is 116cm^2

Find the length of the sides marked w and h

Foundation GCSE Question

Three eat at a restaurant and the bill comes to £30.

Each friend contributes £10.

Later, the manager realises there was a mistake, and bill should have been £25.

The manager gives £5 to the waiter and asks him to return it to the friends.

On the way, the waiter realises that dividing the £5 equally among the three friends is not possible, so he decides to keep £2 for himself and gives each friend £1.

That means that each friend has paid £9.

$3 \times 9 = £27$, adding the £2 kept by the waiter makes a total of £29.

Where did the missing pound go?

Geography Competition: Destination Stanborough!

Mrs Macdonald, Subject Leader: Geography and T&L Innovation Leader, writes:

Welcome to the latest instalment of 'Destination Stanborough'! Each week, two clues will be released via the Stanborough Times. These clues all link to one particular city or landmark, which could be anywhere in the world. There will be 8 clues in total, and the answer will be revealed after all clues have been shared. If you think you have solved the clues, email Mrs Macdonald (AMacdonald@stanborough.herts.sch.uk) with your answer. Points will be awarded at the end of the competition based on how many clues you need and how detailed your explanations of the clues are.

The next set of clues for this half term's destination are below, Good Luck!

Clue #5



Clue #6



Root Word of the Week

W/c 4th May 2026

Root Word
of the Week

demos = people

democracy
democrate
demonstration

Clubs and Activities Summer Term 2026

Homework Support, Study & Catch-up Sessions

Homework club is for any students in the year group who would like to complete homework in a school computer room after school. Homework club will run from 3-4pm on the relevant day.

Year	Day	Time	Room	Staff Member
Year 7	Wednesday	3-4pm	F9	Mrs Stratton
Year 7 -11	Monday, Tuesday & Thursday	3-4pm	C2 F9	Mrs Stratton

Subject	Year Group	Day	Time	Location	Staff Member
Music GCSE Drop-in	Year 10 & 11 Music Students	Monday	1.30-2pm	MD3	Miss Naylor
Maths	Year 7 - 10	Monday	3-4pm	G9	Mr McEwan
Sparx Maths	All Years	Monday	1.20-2pm	G8	Miss Masterson
Business (invite only)	Year 10 & 11	Wednesday	1.20-2pm	C10	Business Staff
Maths Revision KS5	Year 12/13	Wednesday	12.20-2pm	C8	Mrs Coldwell
GCSE Further Maths	Year 10 & 11	Thursday	3-4pm	G9	Mr McEwan
MFL Homework Club	All Years	Thursday	3-4pm	G19	Miss Abbott
GCE Maths Revision KS5	Year 12/13	Friday	1.20-2pm	C8	Mrs Coldwell
GCSE Maths Revision KS4	Year 11	Friday	3-4pm	G9	Mr McEwan

Lunch Time Clubs

Day	Club/Activity	Year Group	Location	Member of staff responsible
Mon - Fri	The Retreat	Invite only	G12	Mrs Stratton
Monday	Young Carers Group (invite only)	Year 7 - 11	G6	Mrs Stratton
	Basketball	Year 10 & 11	Sports Hall	Mr Minion
	Culture & Change	All Years	G1	Mr Torindo
Tuesday	Whizzy Wizards' Writing Workshop	Year 7-9	F5	Miss Davies
	Dance	All Years	Gym	Miss Novelli
	Basketball	Year 7, 8 & 9	Sports Hall	Mr Harris
Wednesday	Woodwind & Brass Group	All Years	MD4	Mr Router
	Guitar Club	All Years	MD2	Mr Hartley
	Volleyball	All Years	Sports Hall	Mr Foster
Thursday	Music Theory Club	All Years	MD3	Miss Naylor
	LGBTQ+ Group	All Years	F6	Ms Butcher
	Script Writing Club	Year 9+	C4	Mrs Buist
Friday	Badminton	All Years	Sports Hall	Mr Harris
	3D Club KS3	Year 7-9	A4	Mr Beevor

After School Clubs

Day	Club/Activity	Year Group	Time	Location	Member of staff responsible
Monday	House Dance Practice (until 8 th June)	All Years	3-4.15pm	Gym	Miss Novelli & Mrs Harris
	Track Club	All Years	3-4.15pm	Field	Mr Minion
	Chorus	All Years	3-4pm	MD3	Miss Naylor & Mr Mollison
Tuesday	Nature & Eco Club	All Years	3-4.15pm	Meet in S10	Dr Jolly
	Athletics	All Years	3-4.15pm	Sports Hall	Mrs Harris, Mr Harris, Mr Foster & Miss Novelli
	SaLT (Sound and Light Team)	All Years	3-4pm	MD2	Mr Mollison
	Coding Club (Wk A) Lego Robotics (Wk B)	All Years	3-4pm	C1	Mr Brown
Wednesday	Music Technology / Music Production Club	Invitation only	3-40pm	MD3	Miss Naylor & Mr Mollison
Thursday	Chess Club	All Years	3-4pm	LRC	Ms Wilson
	Rounders	Year 7 & 8 Year 9 & 10	3-4.15pm	Field	Mrs Dean Miss Novelli
	Softball	All Years	3-4.15pm	Courts	Mr Minion
	Cricket	All Years	3-4.15pm	Courts	Mr Harris
	Instrumental Club	Year 7-9	3-4pm	MD2	Mr Mollison & Mr Hartley
	3D Club KS3	Year 7-9	3-4pm	A4	Mr Beevor
Friday	Maths Enrichment	All Years	3.30-4.30pm	C2	Mrs Coldwell

Please note: Fixtures / Interhouse events will take priority over training.

Poor weather conditions may also affect the running of extra-curricular clubs.

Exams will take place in the sports hall so no clubs that use the sports hall location will take place during the exam period.

PGL Kids Camps – an exclusive offer for our families

Many of you will know PGL from school trips. They also run holiday camps for children aged 8–16, offering a range of outdoor activities that build confidence, teamwork, and independence. As part of our school community, families can receive 30% off PGL Multi-Activity Kids’ Camps during May half term, summer, or October half term (book by 31st May, travel by 31 October 2026).

For full details and to claim the discount, please visit

www.evolveadvice.co.uk/loyaltylocker-pglkidsamps

The offer also applies to UK Family Adventure breaks.



Welwyn Hatfield YouthZone Saturday project

Services for Young People
Hertfordshire County Council

Welwyn Hatfield YouthZone Saturday Project

Dance / Sing

Ludwick Family Centre
Hall Grove
Welwyn Garden City
AL7 4PH

Join us Saturdays 12-3pm

Term time only

For all young people aged 11-17 up to 25 for care leavers and those with SEND

This new Saturday afternoon project is a safe space to meet new people and get involved in free activities including sports, music, dance and creative arts.

Our Youth Workers will also help you:

- Improve your wellbeing and confidence
- Recognise and build healthy relationships
- Keep yourself safe
- Overcome any challenges you may be facing
- Identify and achieve your goals
- Express your views and get your voice heard

No booking needed – just come along!

Tel: 01992 588220 Text: 07507 239947
SYYP.WelwynHatfield@hertfordshire.gov.uk
www.servicesforyoungpeople.org

COMMUNITY FUND | Funded by UK Government | Hertfordshire

Services for Young People
Hertfordshire County Council

Welwyn Hatfield YouthZone Saturday Project

Ludwick Family Centre
Hall Grove
Welwyn Garden City
AL7 4PH

Join us Saturdays 12-3pm

Term time only

For all young people aged 11-17 up to 25 for care leavers and those with SEND

This new Saturday afternoon project is a safe space to meet new people and get involved in free activities including sports, music, dance and creative arts.

Our Youth Workers will also help you:

- Improve your wellbeing and confidence
- Recognise and build healthy relationships
- Keep yourself safe
- Overcome any challenges you may be facing
- Identify and achieve your goals
- Express your views and get your voice heard

No booking needed – just come along!

Tel: 01992 588220 Text: 07507 239947
SYYP.WelwynHatfield@hertfordshire.gov.uk
www.servicesforyoungpeople.org

COMMUNITY FUND | Funded by UK Government | Hertfordshire

Welwyn Garden City and Hatfield Schools Partnership courses




Who's in Charge?

A FREE* 8 WEEK COURSE FOR PARENTS/CARERS LIVING WITH A STRONG-WILLED CHILD

COURSE COVERS:

- ENTITLEMENT VERSUS RESPONSIBILITY
- CONSEQUENCES
- ANGER
- ASSERTIVENESS
- SELF-CARE
- COOPERATIVE FAMILY RELATIONSHIPS

DATES: Tuesdays from 12th May - 14 July 2026 (no session in half-term or on 30th June)

TIME: 12:30-2:30pm

PROGRAMME CONSISTS OF 8 X 2 HOUR WEEKLY SESSIONS

LOCATION: Holy Family Catholic Primary School

To book a place, please use the QR code or go to: <https://forms.office.com/e/4rjRF7SY3u>

*Please note that this course is only available for free to our partner schools, details of which can be found here: <https://www.welwynhatfieldsschoolspartnership.com/our-schools/>



Made with PosterMyWall.com



UNDERSTANDING ANXIETY IN CHILDREN 2-DAY COURSE

TO HELP YOU SUPPORT CHILDREN AND YOUNG PEOPLE WHO MAY BE EXPERIENCING ANXIETY

A FREE COURSE FOR PARENTS/CARERS

- TO UNDERSTAND THE CAUSES OF ANXIETY
- UNDERSTAND PHYSICAL SYMPTOMS AND HOW THEY MAY PRESENT IN CHILDREN
- STRATEGIES TO HELP A CHILD MANAGE THEIR STRESS AND BUILD RESILIENCE

DATES: Tuesdays 2nd & 9th June 2026. Participants must be able to attend both sessions

TIME: 9:30-11:30am

VENUE: Online via MStems

To book a place, please use the QR code or go to: <https://forms.office.com/e/S4WCpa4xZ5>



Made with PosterMyWall.com



UNDERSTANDING ANXIETY IN CHILDREN WORKSHOP

TO HELP YOU SUPPORT CHILDREN AND YOUNG PEOPLE WHO MAY BE EXPERIENCING ANXIETY

Twilight session for School staff

- TO UNDERSTAND THE CAUSES OF ANXIETY
- UNDERSTAND PHYSICAL SYMPTOMS AND HOW THEY MAY PRESENT IN CHILDREN
- STRATEGIES TO HELP A CHILD MANAGE THEIR STRESS AND BUILD RESILIENCE

Date Wednesday 1st July

TIME: 3.30pm-5.30pm

VENUE: Online via MStems

To book a place, please use the QR code or go to: <https://forms.office.com/e/S4WCpa4xZ5>



Made with PosterMyWall.com



Telephone/Zoom Surgery

**13th May 2026
12-2pm**

* A chance to discuss your concerns with one of our School Family Workers

* 15 minute time-slot allocated

Please go to this link to book: <https://forms.office.com/e/AErSTSp1vP>

or click on the QR code on this page



Made with PosterMyWall.com